



Quad Ridged Horn Antenna

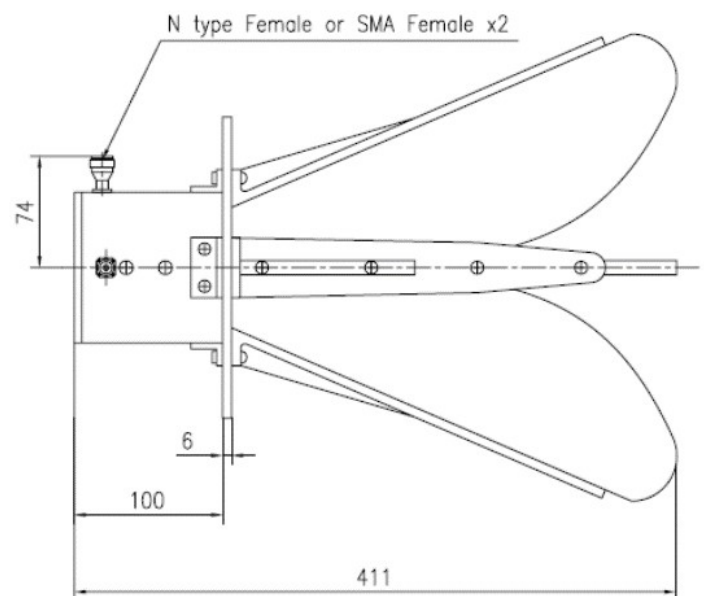
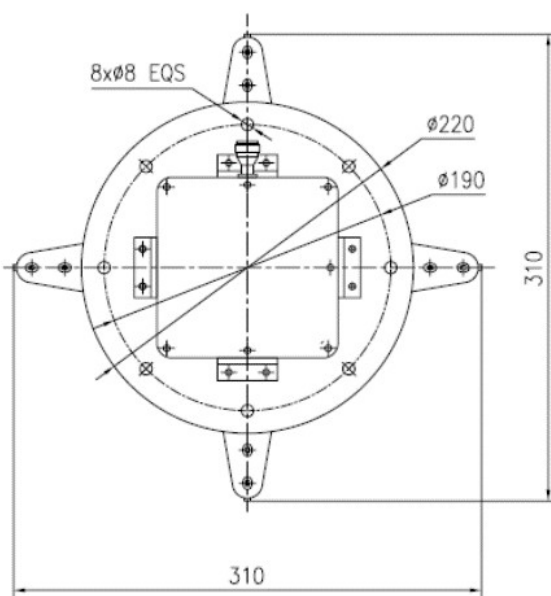
Specification

Model : MQH00706

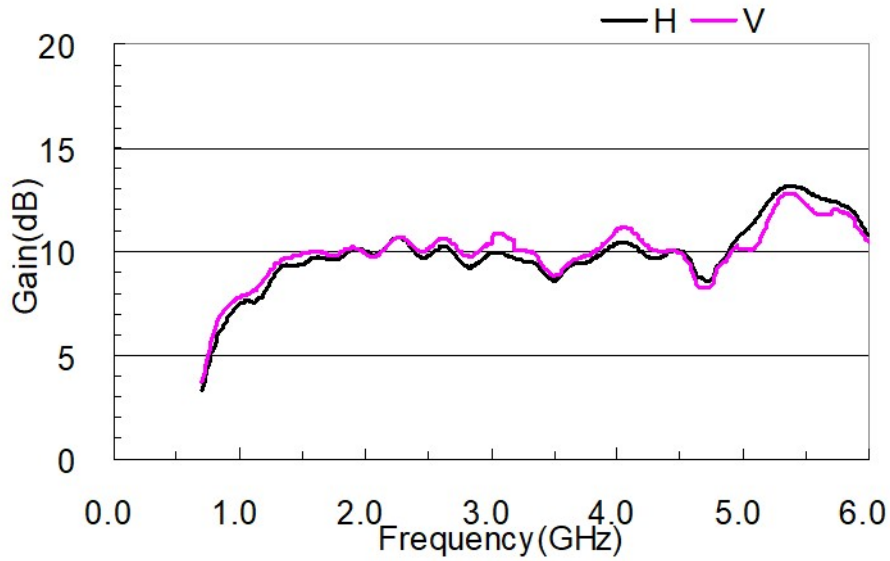


Frequency Range(GHz)	0.7 - 6.0
Gain(dB)	11 Typ.
Polarization	Dual Pol.
VSWR	2.0:1 Typ.
3dB Beamwidth(deg)	120-15
Cross Pol. Isolation(dB)	18 Min.
Port to Port Isolation(dB)	20 Min.
Connector	SMA-F/N-F
Size(mm)	310x310x411
Net Weight(Kg)	5.0 Around

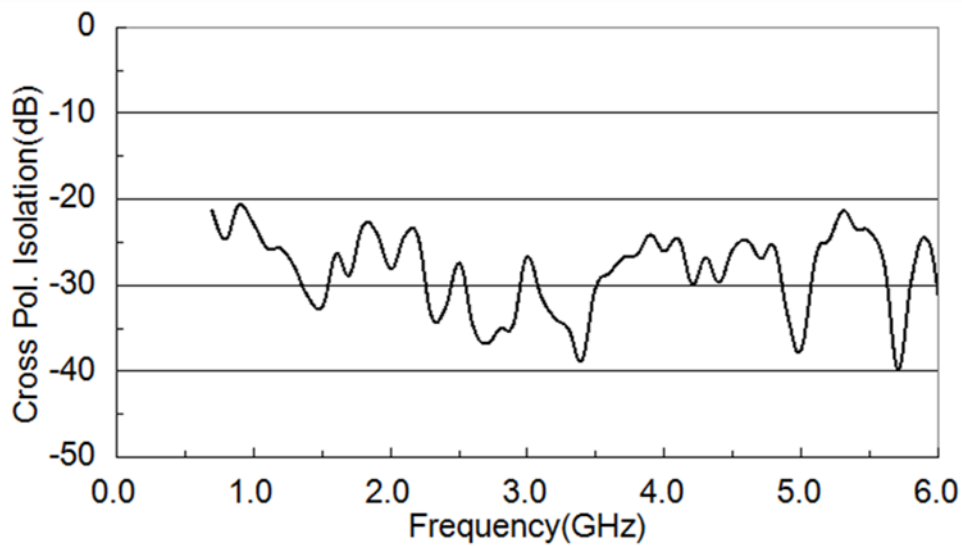
Outline Drawing (mm)



Antenna Gain (typ.)



Cross Polarization isolation (typ.)



Radiation Patterns (typ.)

